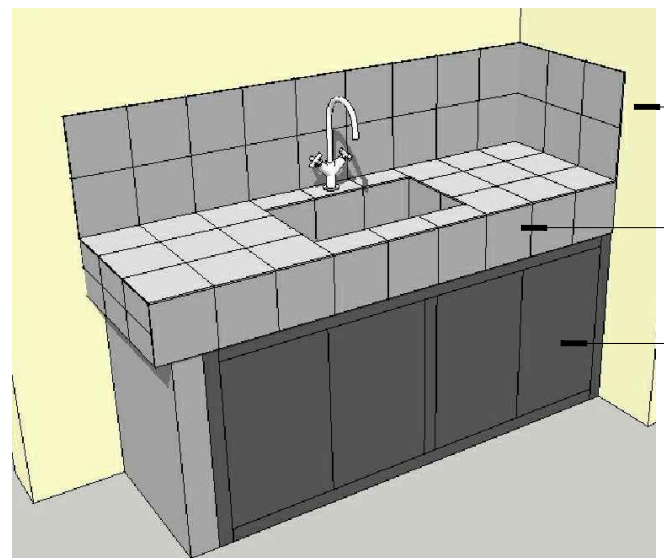
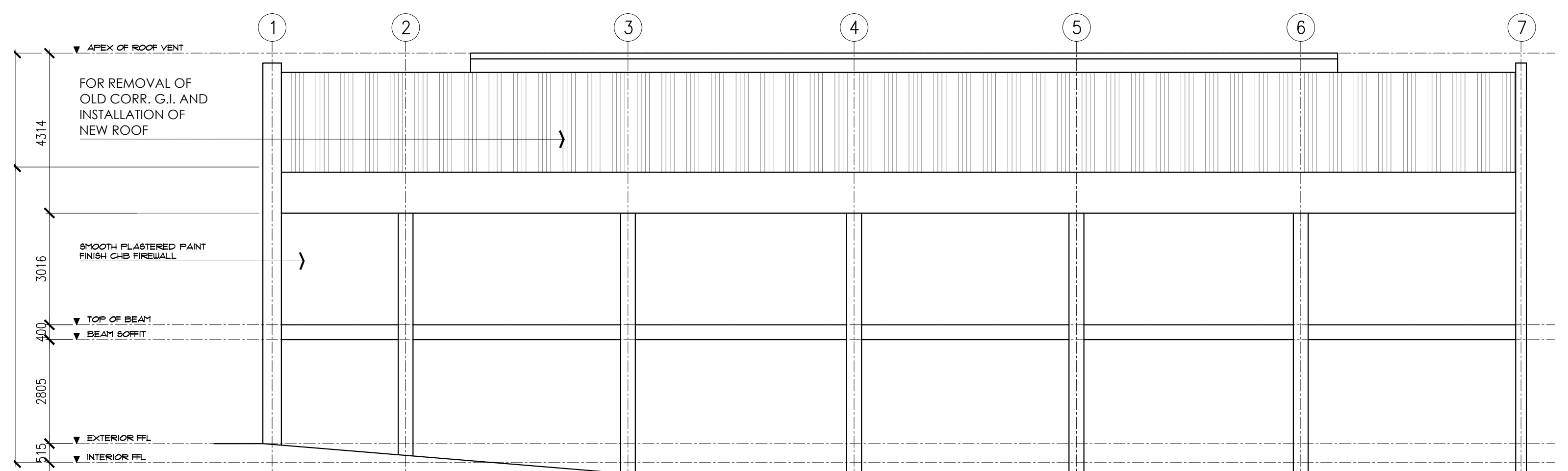


1 FRONT ELEVATION
SCALE 1:100

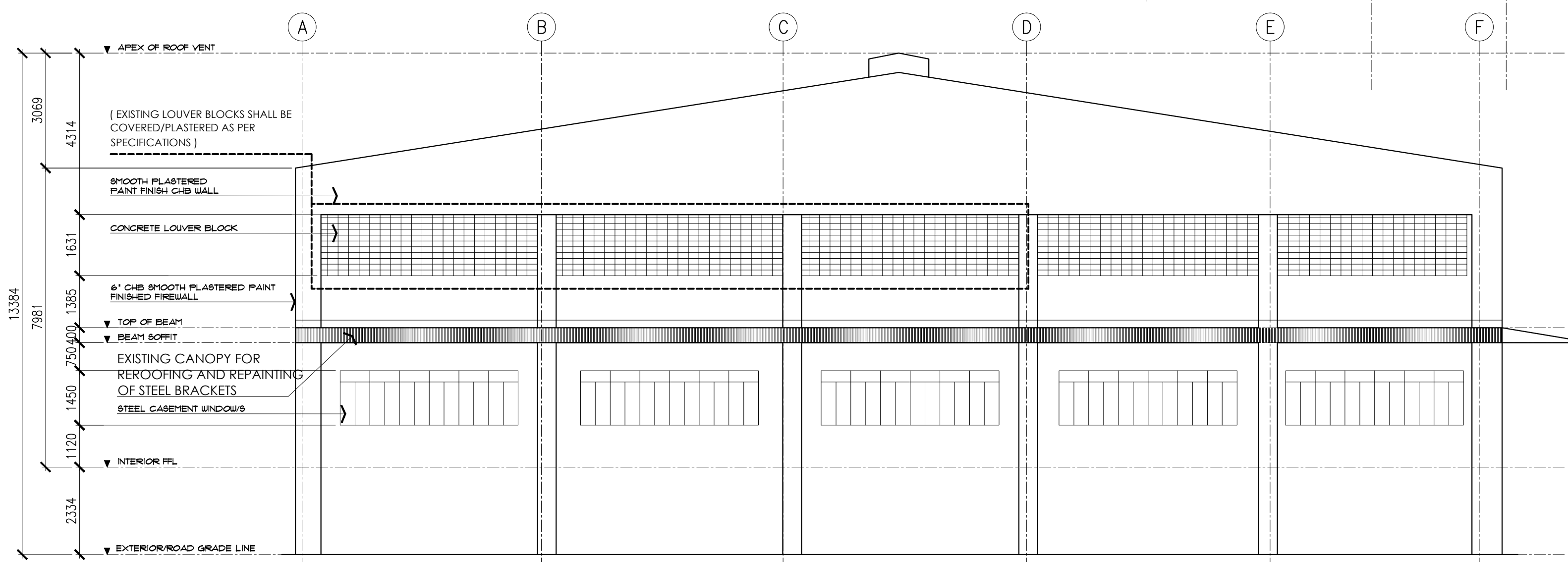


CHB WALL PLASTERED (WHITE) PAINT FINISHED
200mmx200mm CERAMIC SPLASHBOARD AND COUNTER TOP TILES
ALL 19mm THK MARINE PLYWOOD BELOW COUNTER CABINET-PAINT FINISH

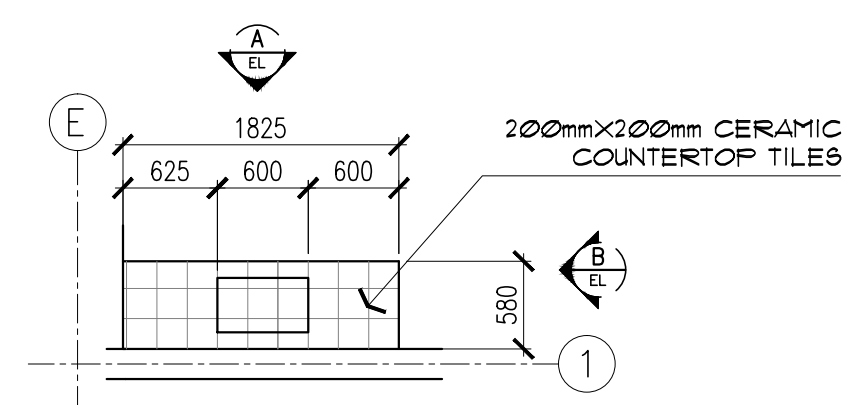
KIT A-02 KITCHEN ISOMETRIC
SCALE NTS



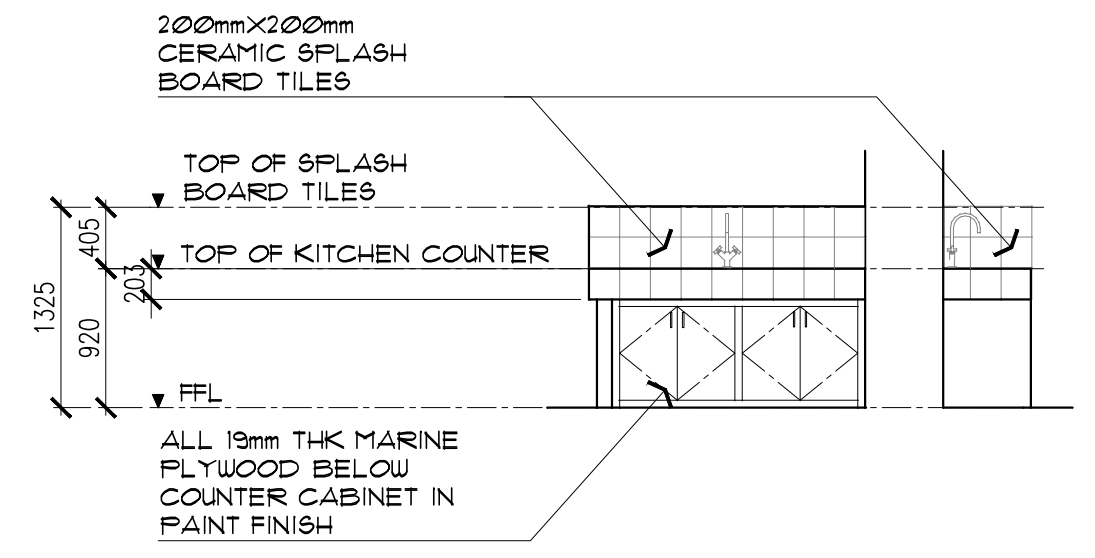
3 RIGHT SIDE ELEVATION
SCALE 1:100



2 REAR ELEVATION
SCALE 1:100



KIT A-02 KITCHEN ENLARGED PLAN
SCALE 1:50



A/B ELEVATION
SCALE 1:50

NOTE: DO NOT SCALE DRAWINGS. VERIFY DESIGN ARCHITECT CONFLICTING INFORMATION MAY ARISE.

R.A. 9266 ARCHITECTURE ACT OF 2004
SECTION 33. Ownership of Plans, Specifications and Other Contract Documents

Drawings and specifications and other contract documents duly signed, stamped or sealed, as instruments of service, are the intellectual property and documents of the architect, whether the object for which they are made is executed or not. It shall be unlawful for any person to duplicate or to make copies of said documents for use in the repetition of and for other projects or buildings, whether executed partly or in whole, without the written consent of architect or author of said documents.

ARCHITECT	PROJECT TITLE/LOCATION	OWNER	REVISIONS	SHEET CONTENTS	DRAWN BY	AEI	SHEET NO.
EDSEL Israel ANTONIO	PROPOSED ROOF REPAIR FOR SCAIC WAREHOUSE 01 AND REHABILITATION FOR SCAIC WAREHOUSE 02	PRIVATIZATION AND MANAGEMENT OFFICE LOCATION : 104 GAMBOJA STREET, LEGASPI VILLAGE, MAKATI CITY, PHILIPPINES		WAREHOUSE 01 FRONT ELEVATION WAREHOUSE 01 REAR ELEVATION WAREHOUSE 01 RIGHT SIDE ELEVATION ENLARGED PLAN AND ELEVATIONS OF PANTRY KITCHEN KITCHEN ISOMETRIC VIEW	CADD BY	AEI	A 03
PRC NO. : 0018014 PTR NO. : 10287029	16-B P. JACINTO STREET, BAGBAGUIN, VALENZUELA CITY, M.M.	APPROVED/DATE:			SCALE	AS SHOWN	
T.I.N. : 223-203-804-000 ISSUED ON : JAN. 27, 2020					DATE	OCT. 09, 2020	
IAPOA NO. : 11956-289496-071420 ISSUED AT : LAL-LO, CAGAYAN							